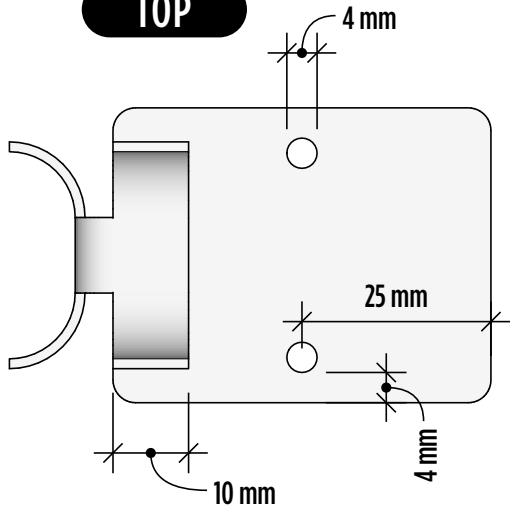


# PRODUCT SPEC SHEET

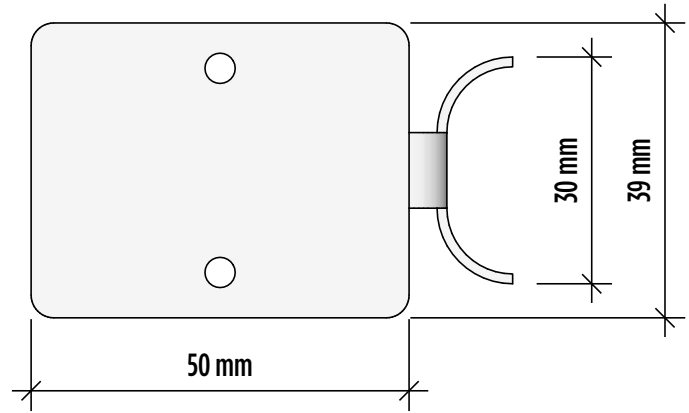
Product Model #: ZSK-325

Product Name: ZSK COPPER CLIP

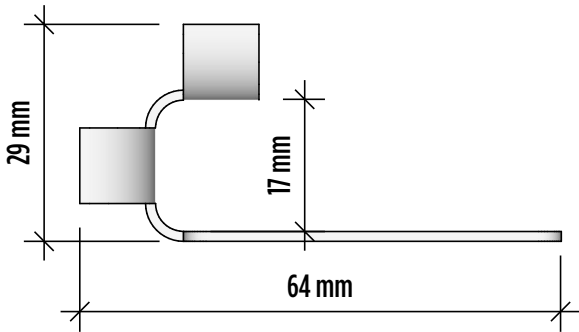
TOP



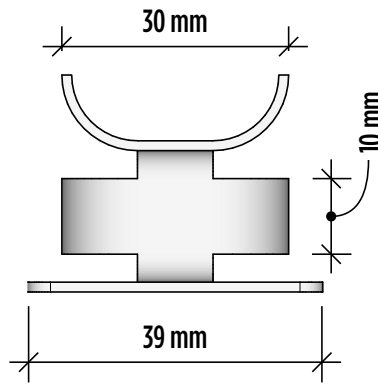
BOTTOM



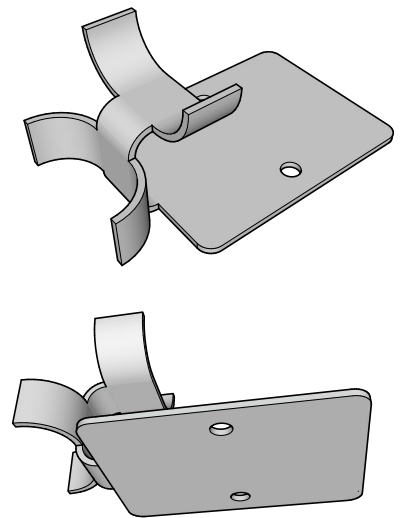
SIDE



FRONT



PERSPECTIVES



## FOR USE ON

- Copper Roofs
- Other

## DESCRIPTION:

This clip is designed for installing self-regulating heat cable on flat copper surfaces. It's made of 1.2mm solid copper. Sold in packs of 10, this clip can be installed with solder or adhesive.

## RADIANT SOLUTIONS COMPANY

1515 5TH ST.S., HOPKINS, MN 55343  
 877-387-4218  
 WWW.RADIANTSOLUTIONSCOMPANY.COM  
 CONTACT: INFO@RADIANTSOLUTIONSCOMPANY.COM

The reproduction, distribution and utilization of this document as well as the communication of its contents to others without express authorization is prohibited. Offenders will be held liable for the payment of damages. All rights reserved in the event of the grant of a patent, utility model or design.

PRODUCT MODEL #: ZSK-325  
 PRODUCT NAME: SOLDER-ON  
 GLUE-ON  
 ROOF CLIP  
 2MM COPPER

